

carer
Electric Forklift Trucks

Capacity 4,500-5,000-6,000-7,000-8,000 kg

Centre of gravity 600 mm

Voltage 80 V

Perfect balance between excellent performances
and long autonomy of the battery

R

SERIES



R45 H² **R70 H²**
R50 H² **R80 H²**
R60 H²

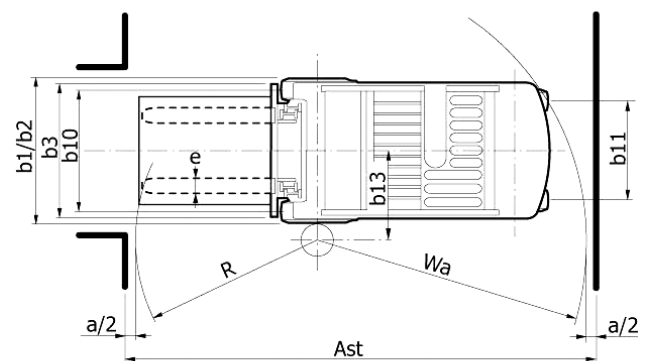
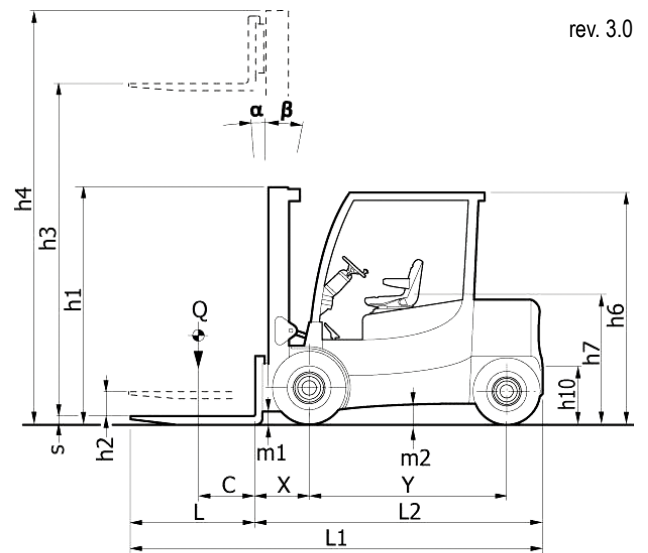
ELECTRIC FORKLIFT TRUCK CARER R 45-50-60-70-80 H²

MAIN FEATURES

- Capacity: 4,500-5,000-6,000-7,000-8,000 kg
- Centre of gravity: 600 mm
- Voltage: 80 V
- Tyres: cushion, super elastic, super elastic twins
- Motors: AC
- Brakes: oil immersed
- Travel speed: 15 km/h
- Lifting speed: 0.34 m/s
- Battery 80 V - Maximum capacity 1085 Ah
- Advanced multifunction digital display (AMD)
- Low positioned tilt cylinders

AVAILABLE CONTAINER VERSION KR 45-50-60-70-80 H²

Total height = 2,230 mm



THE BENEFITS OF CHOOSING CARER

Developed and designed materials handling in heavy duty applications both inside and outside, the R 45-80 H² is the right truck to support intensive use and high performance. Thanks to the advanced multifunction digital display (AMD) it is

possible to balance performance and battery autonomy in order to obtain the most suitable configuration for specific use and for driving sensitivity of operator.

To allow the highest productivity throughout the entire shift of work, Carer offers a number of options such as fingertips integrated in the armrest, enclosed comfortable cab with, as option, heating and air conditioned, seat with low level vibration and low level noise motors. Designed to deliver the optimal balance between productivity and energy consumption to give you a low cost per pallet moved in varying application conditions.

Reliability

The focus in the design, the strong frame and highly reliable

components, guarantee maximum reliability and durability of the truck. Robust truck with highly rigid construction has been designed with a heavy duty mast and axle for excellent load handling capability and high residual capacity, in order to ensure fast, stable load handling and high productivity in arduous and intensive heavy duty applications.



		C.A.R.E.R. Srl						
IDENTIFICATION	1.1	Manufacturer						
	1.2	Manufacturer's type designation	R 45 H²	R 50 H²	R 60 H²	R 70 H²	R 80 H²	
	1.3	Drive	electric	electric	electric	electric	electric	
	1.4	Operator type	seat	seat	seat	seat	seat	
	1.5	Load capacity/rated load	Q (t)	4.5	5	6	7	8
	1.6	Load centre distance	C (mm)	600	600	600	600	600
	1.8	Load distance	X (mm)	625 ⁽¹⁾⁽²⁾	650 ⁽¹⁾⁽²⁾	650 ⁽¹⁾⁽²⁾	650 ⁽¹⁾⁽²⁾	670 ⁽¹⁾⁽²⁾
	1.9	Wheelbase	Y (mm)	1950	1950	1950	2100	2150
	WEIGHTS	2.1	Weight	(kg)	8288	8778	10012	10689
2.2		Axle loading, laden front / rear	(kg)	11581 / 1207	12570 / 1208	14606 / 1406	16097 / 1592	18527 / 1623
2.3		Axle loading, unladen front / rear	(kg)	4250 / 4038	4360 / 4418	4760 / 5252	4930 / 5759	5800 / 6350
WHEELS	3.1	Tyres type	C - SE - SEG	C - SE - SEG	C - SE - SEG	C - SE - SEG	C - SE - SEG	
	3.2	Tyre size, front	840x356-559 300-15 8.25-15	840x356-559 300-15 8.25-15	840x356-559 355/65-15 8.25-15	840x356-559 355/65-15 8.25-15	840x356-559 355/50-20 8.25-15	
	3.3	Tyre size, rear	559x229x406 23x10-12	559x229x406 23x10-12	559x229x406 23x10-12	559x229x406 23x10-12	559x229x406 315x45-12	
	3.5	Wheels, number front rear (x = driven wheels)		2X/2	2X/2	2X/2	2X/2	2X/2
	3.6	Track width, front	b10 (mm)	1295-1200-1380	1295-1200-1380	1295-1235-1380	1295-1235-1380	1295-1290-1380
	3.7	Track width, rear	b11 (mm)	1115	1115	1115	1115	950
	4.1	Tilt of mast / fork carriage forward / backward	α/β (°)	6 / 6 ⁽²⁾	6 / 6 ⁽²⁾	6 / 6 ⁽²⁾	6 / 6 ⁽²⁾	6 / 6 ⁽²⁾
DIMENSIONS	4.2	Closed mast height	h1 (mm)	2525	2525	2525	2680	2800
	4.3	Free lift	h2 (mm)	100	100	100	100	100
	4.4	Lift (standard mast)	h3 (mm)	3400	3400	3400	3400	3400
	4.5	Height, mast extended	h4 (mm)	4250	4250	4250	4520	4650
	4.7	Height of overhead guard	h6 (mm)	2400	2400	2400	2400	2400
	4.8	Seat height	h7 (mm)	1300	1300	1300	1300	1300
	4.12	Coupling height	h10 (mm)	460	460	460	460	460
	4.19	Overall length	L1 (mm)	4225	4250	4250	4400	4480
	4.20	Length to face of forks	L2 (mm)	3025	3050	3050	3200	3280
	4.21	Overall width	b1/b2 (mm)	1640 -1440-1820	1640 -1440-1820	1640 -1520-1820	1640 -1520-1820	1640 -1600-1820
	4.22	Fork dimensions	ExSxL (mm)	150x50x1200	150x50x1200	150x60x1200	150x60x1200	200x60x1200
	4.23	Fork carriage ISO 2328/30, FEM/A,B		3A	4A	4A	4A	4A
	4.24	Fork-carriage width	b3 (mm)	1300	1300	1300	1300	1500
	4.31	Ground clearance, laden, below mast	m1 (mm)	150	150	150	150	150
	4.32	Ground clearance, centre of wheelbase	m2 (mm)	160	160	160	160	160
	4.33	Aisle width for pallets 1000x1200 crossways	Ast (mm)	4450	4470	4470	4650	4780
4.34	Aisle width for pallets 800x1200 lengthways	Ast (mm)	4650	4670	4670	4850	4980	
4.35	Turning radius	Wa (mm)	2620	2620	2620	2800	2900	
4.36	Internal turning radius	b13 (mm)	850	850	850	950	1050	
PERFORMANCE	5.1	Travel speed, laden / unladen	(km/h)	15 / 15	15 / 15	15 / 15	14 / 15	13.5 / 15
	5.2	Lift speed, laden / unladen	(m/s)	0.33 / 0.34	0.32 / 0.34	0.28 / 0.34	0.24 / 0.3	0.22 / 0.26
	5.3	Lowering speed, laden / unladen	(m/s)	0.5 / 0.4	0.5 / 0.4	0.5 / 0.4	0.42 / 0.34	0.38 / 0.28
	5.5	Drawbar pull, laden / unladen (S2 60')		8100 / 8600	7900 / 8500	7700 / 8300	7300 / 8100	7000 / 7800
	5.6	Max. drawbar pull, laden / unladen (S2 5')	(N)	24300 / 24700	24100 / 24600	23800 / 24400	23500 / 24300	23200 / 24000
	5.7	Gradeability, laden / unladen (S2 30')	(%)	11.4 / 18.6	10.4 / 17.1	8.9 / 15.1	7.5 / 13.1	6.5 / 11.4
	5.8	Max. gradeability, laden / unladen (S2 5')	(%)	19.9 / 31.9	18.2 / 29.5	15.7 / 26.2	13.5 / 22.9	11.7 / 20
	5.9	Acceleration time, laden / unladen (10 m)	(s)	5.3 / 4.2	5.6 / 4.4	6 / 4.7	6.5 / 5	7 / 5.3
	5.10	Service brake		electric	electric	electric	electric	electric
	MOTOR / BATT.	6.1	Drive motor rating (S2 60')	(kW)	2x12.5	2x12.5	2x12.5	2x12.5
6.2		Lift motor rating (S3 20%)	(kW)	30	30	30	30	30
6.4		Battery voltage	U (V)	80	80	80	80	80
6.4.1		Rated capacity	K5 (Ah)	875 / 980	980 / 1085 / 1135 (TENSOR)	980 / 1085 / 1135 (TENSOR)	980 / 1085 / 1135 (TENSOR)	1085 / 1135 (TENSOR)
6.5		Battery weight minimum/maximum	(kg)	2400 / 2630	2400 / 2630	2500 / 2680	2500 / 2680	2500 / 2680
OTHERS	8.1	Type of drive control		inverter	inverter	inverter	inverter	inverter
	8.2	Operating pressure for attachments	(bar)	200	200	200	200	200
	8.4	Sound level at the driver's ear	(dBA)	-	-	-	-	-



C.A.R.E.R. Srl
via Copernico 13
48033 Cotignola (RA) Italy
phone +39 0545 1938010
fax +39 0545 908070
www.carerforklift.com
info@carerforklift.com

follow us on 